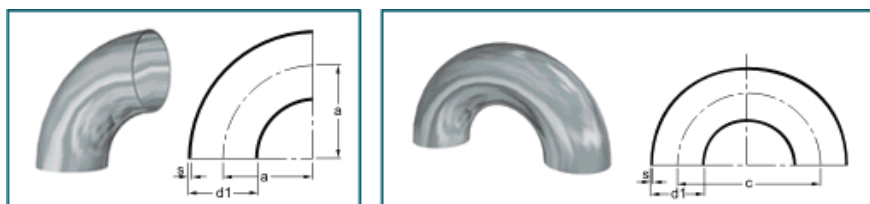


ALUMINIUM ELBOWS

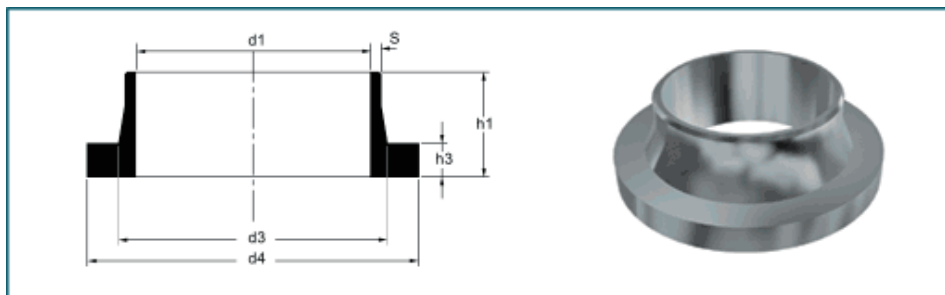


| DN | s mm | d1 mm | a mm | c mm |
|-----|------|-------|-------------|----------|
| 20 | 2,5 | 25 | 27,5 ± 2,5 | 55 ± 5 |
| 25 | 2,5 | 30 | 33,5 ± 2,5 | 67 ± 5 |
| 25 | 3,0 | 31 | 33,5 ± 2,5 | 67 ± 5 |
| 32 | 3,0 | 38 | 45 ± 2,5 | 90 ± 5 |
| 40 | 2,5 | 45 | 51 ± 2,5 | 102 ± 5 |
| 40 | 3,0 | 46 | 51 ± 2,5 | 102 ± 5 |
| 40 | 4,0 | 48 | 51 ± 2,5 | 102 ± 5 |
| 50 | 3,0 | 56 | 72 ± 3,0 | 144 ± 6 |
| 50 | 3,0 | 57 | 72 ± 3,0 | 144 ± 6 |
| 50 | 4,0 | 58 | 72 ± 3,0 | 144 ± 6 |
| 50 | 3,0 | 60 | 76 ± 3,0 | 152 ± 6 |
| 50 | 5,0 | 60 | 72 ± 3,0 | 144 ± 6 |
| 65 | 3,0 | 71 | 92 ± 3,0 | 184 ± 6 |
| 65 | 5,0 | 75 | 92 ± 3,0 | 184 ± 6 |
| 65 | 3,0 | 76 | 95 ± 3,0 | 190 ± 6 |
| 80 | 3,0 | 86 | 114,5 ± 3,0 | 229 ± 6 |
| 80 | 4,0 | 88 | 114,5 ± 3,0 | 229 ± 6 |
| 80 | 3,0 | 89 | 114,5 ± 3,0 | 229 ± 6 |
| 80 | 4,0 | 89 | 114,5 ± 3,0 | 229 ± 6 |
| 80 | 5,0 | 90 | 114,5 ± 3,0 | 229 ± 6 |
| 100 | 3,0 | 106 | 142,5 ± 3,0 | 285 ± 6 |
| 100 | 4,0 | 108 | 142,5 ± 3,0 | 285 ± 6 |
| 100 | 5,0 | 108 | 142,5 ± 3,0 | 285 ± 6 |
| 100 | 5,0 | 110 | 142,5 ± 3,0 | 285 ± 6 |
| 100 | 3,0 | 114 | 152,5 ± 3,0 | 305 ± 6 |
| 100 | 4,0 | 114 | 152,5 ± 3,0 | 305 ± 6 |
| 125 | 3,0 | 131 | 181 ± 3,0 | 362 ± 6 |
| 125 | 4,0 | 133 | 181 ± 3,0 | 362 ± 6 |
| 125 | 5,0 | 133 | 181 ± 3,0 | 362 ± 6 |
| 125 | 5,0 | 135 | 181 ± 3,0 | 362 ± 6 |
| 150 | 3,0 | 156 | 216 ± 4,0 | 432 ± 8 |
| 150 | 3,0 | 159 | 216 ± 4,0 | 432 ± 8 |
| 150 | 4,0 | 159 | 216 ± 4,0 | 432 ± 8 |
| 150 | 4,5 | 159 | 216 ± 4,0 | 432 ± 8 |
| 150 | 4,0 | 160 | 216 ± 4,0 | 432 ± 8 |
| 150 | 5,0 | 160 | 216 ± 4,0 | 432 ± 8 |
| 150 | 3,0 | 168 | 228,5 ± 4,0 | 457 ± 8 |
| 200 | 3,0 | 206 | 305 ± 4,0 | 610 ± 8 |
| 200 | 4,0 | 208 | 305 ± 4,0 | 610 ± 8 |
| 200 | 5,0 | 210 | 305 ± 4,0 | 610 ± 8 |
| 200 | 3,0 | 219 | 305 ± 4,0 | 610 ± 8 |
| 200 | 4,0 | 219 | 305 ± 4,0 | 610 ± 8 |
| 200 | 5,0 | 219 | 305 ± 4,0 | 610 ± 8 |
| 250 | 4,0 | 273 | 381 ± 5,0 | 762 ± 10 |
| 300 | 4,0 | 324 | 457 ± 5,0 | 914 ± 10 |

Alloys:

1050 Puraltok 99,5
5754 Magnealtok 50
6063 Simagaltok 63

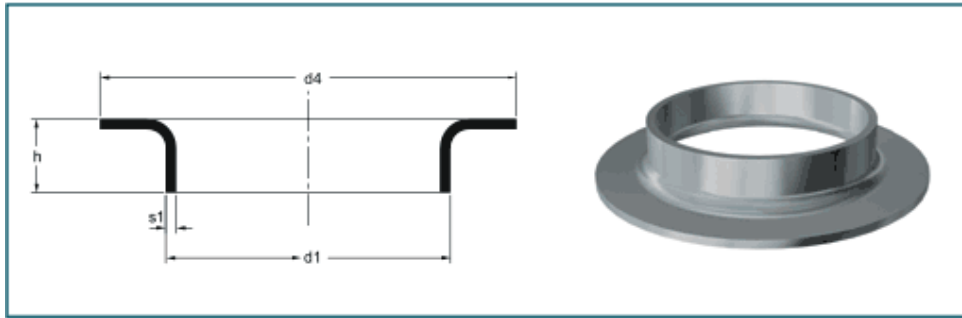
ALUMINIUM RAISED FACE FLANGES



| DN | ISO | d1 | DIN | d4 | h1 | h3 | d3 | s |
|-----|-------|----|------|-----|----|----|-----|-----|
| | | | | mm | mm | mm | mm | mm |
| 10 | 17,2 | | | 40 | 35 | 10 | 25 | 1,8 |
| 10 | | | 14 | 40 | 35 | 10 | 22 | 2,0 |
| 15 | 21,3 | | | 45 | 35 | 10 | 30 | 2,0 |
| 15 | | | 20 | 45 | 35 | 10 | 28 | 3,0 |
| 20 | 26,9 | | | 58 | 40 | 12 | 37 | 2,3 |
| 20 | | | 25 | 58 | 40 | 12 | 35 | 3,0 |
| 25 | 33,7 | | | 68 | 40 | 12 | 43 | 2,6 |
| 25 | | | 30 | 68 | 40 | 12 | 40 | 4,0 |
| 32 | 42,4 | | | 78 | 40 | 12 | 54 | 2,6 |
| 32 | | | 38 | 78 | 40 | 12 | 50 | 4,0 |
| 40 | 48,3 | | | 88 | 40 | 12 | 62 | 2,6 |
| 40 | | | 44,5 | 88 | 40 | 12 | 58 | 4,0 |
| 50 | 60,3 | | | 102 | 45 | 14 | 73 | 2,9 |
| 50 | | | 57 | 102 | 45 | 14 | 70 | 4,0 |
| 65 | 76,1 | | - | 122 | 45 | 14 | 88 | 5,0 |
| 80 | 88,9 | | - | 138 | 50 | 16 | 102 | 5,0 |
| 100 | 114,3 | | | 158 | 50 | 16 | 128 | 3,6 |
| 100 | | | 108 | 158 | 50 | 16 | 122 | 5,0 |
| 125 | 139,7 | | | 188 | 50 | 18 | 154 | 4,0 |
| 125 | | | 133 | 188 | 50 | 18 | 148 | 6,0 |
| 150 | 168,3 | | | 212 | 50 | 18 | 181 | 4,5 |
| 150 | | | 159 | 212 | 50 | 18 | 172 | 6,0 |
| 200 | 219,1 | | | 268 | 55 | 20 | 233 | 5,9 |
| 200 | | | 216 | 268 | 55 | 20 | 230 | 7,5 |
| 250 | 273 | | | 320 | 60 | 22 | 288 | 6,3 |
| 250 | | | 367 | 320 | 60 | 22 | 282 | 6,3 |
| 300 | 323,9 | | | 370 | 60 | 22 | 338 | 7,1 |
| 300 | | | 318 | 370 | 60 | 22 | 332 | 7,1 |
| 350 | 355,6 | | | 430 | 60 | 22 | 370 | 7,1 |
| 350 | | | 368 | 430 | 60 | 22 | 382 | 7,1 |
| 400 | 406,4 | | | 482 | 65 | 24 | 426 | 7,1 |
| 400 | | | 419 | 482 | 65 | 24 | 438 | 7,1 |
| 500 | 508 | | | 585 | 70 | 26 | 528 | 7,1 |
| 500 | | | 521 | 585 | 70 | 26 | 540 | 7,1 |
| 600 | 609,6 | | | 685 | 80 | 26 | 628 | 7,1 |
| 600 | | | 622 | 685 | 80 | 26 | 640 | 7,1 |

Alloys:

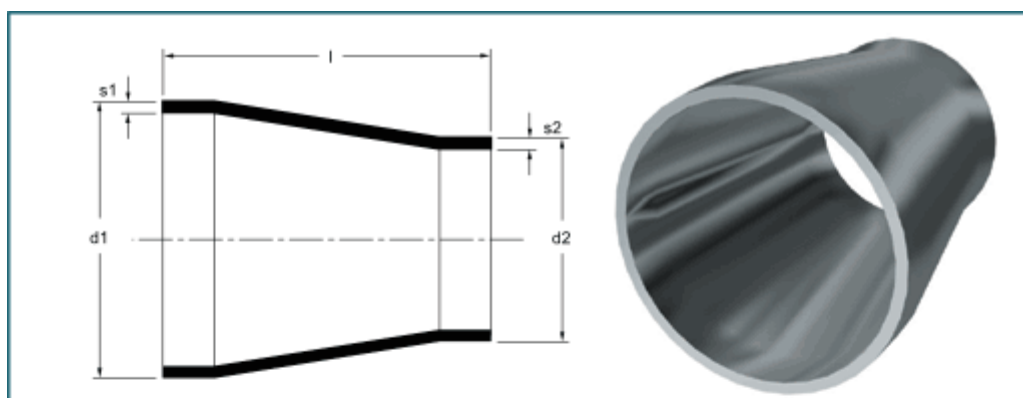
1050 Puraltok 99,5
5754 Magnealtok 30
5083 Magnealtok 45



| DN | d1 mm | d4 mm | h mm | s1 mm |
|-----|----------|----------|---------|----------|
| 15 | 21 | 45 | 9 | 3 |
| 20 | 25 | 58 | 12 | 3 |
| 25 | 31 | 68 | 15 | 3 |
| 32 | 38 | 78 | 15 | 3 |
| 40 | 46 | 88 | 17 | 3 |
| 50 | 56 | 102 | 23 | 3 |
| 50 | 60 | 102 | 23 | 5 |
| 65 | 71 | 122 | 23 | 3 |
| 65 | 76 | 122 | 23 | 3 |
| 80 | 86 | 138 | 23 | 3 |
| 80 | 89 | 138 | 23 | 4 |
| 80 | 90 | 138 | 23 | 5 |
| 100 | 106 | 158 | 28 | 3 |
| 100 | 108 | 158 | 28 | 4 |
| 125 | 131 | 188 | 30 | 3 |
| 125 | 133 | 188 | 30 | 4 |
| 150 | 156 | 212 | 30 | 3 |
| 150 | 159 | 212 | 30 | 4 |
| 150 | 160 | 212 | 30 | 5 |
| 200 | 208 | 268 | 30 | 4 |
| 200 | 219 | 268 | 30 | 4 |
| 250 | 256 | 320 | 30 | 3 |
| 250 | 258 | 320 | 30 | 4 |
| 250 | 267 | 320 | 30 | 4 |
| 300 | 306 | 370 | 30 | 3 |
| 300 | 308 | 370 | 30 | 4 |
| 300 | 323,9 | 370 | 30 | 5 |

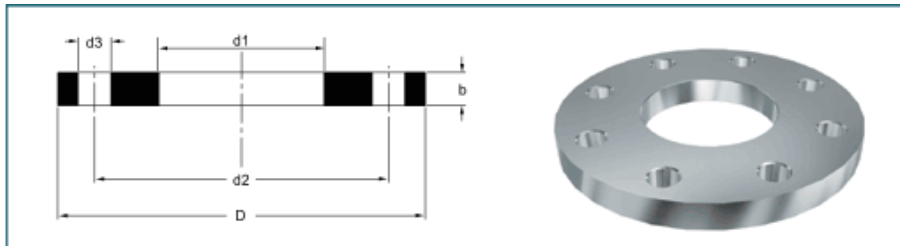
Alloys:
 1050 Puraltok 99,5
 5754 Magnealtok 30
 5083 Magnealtok 45

ALUMINIUM REDUCERS



| DN | d1 mm | d2 mm | s1 mm | s2 mm | l mm |
|-----------|----------|----------|----------|----------|---------|
| 25 / 15 | 34 | 21 | 2,0 | 2,0 | 50 |
| 40 / 15 | 48 | 21 | 3,0 | 2,0 | 65 |
| 40 / 25 | 46 | 31 | 3,0 | 3,0 | 70 |
| 40 / 25 | 48 | 34 | 3,0 | 2,0 | 65 |
| 50 / 25 | 56 | 31 | 3,0 | 3,0 | 80 |
| 50 / 25 | 60 | 34 | 3,5 | 2,0 | 75 |
| 50 / 32 | 56 | 38 | 3,0 | 3,0 | 80 |
| 50 / 40 | 56 | 46 | 3,0 | 3,0 | 80 |
| 50 / 40 | 60 | 48 | 3,5 | 3,0 | 75 |
| 65 / 40 | 76 | 46 | 3,0 | 3,0 | 90 |
| 65 / 50 | 76 | 56 | 3,0 | 3,0 | 90 |
| 80 / 40 | 86 | 46 | 3,0 | 3,0 | 90 |
| 80 / 40 | 89 | 48 | 4,0 | 3,0 | 90 |
| 80 / 50 | 86 | 56 | 3,0 | 3,0 | 90 |
| 80 / 50 | 89 | 60 | 4,0 | 3,5 | 90 |
| 80 / 65 | 86 | 76 | 3,0 | 3,0 | 90 |
| 80 / 65 | 89 | 76 | 3,0 | 3,0 | 90 |
| 100 / 50 | 114 | 60 | 3,0 | 3,5 | 100 |
| 100 / 65 | 106 | 76 | 3,0 | 3,0 | 100 |
| 100 / 65 | 108 | 76 | 3,0 | 3,0 | 100 |
| 100 / 80 | 106 | 86 | 3,0 | 3,0 | 100 |
| 100 / 80 | 108 | 89 | 4,0 | 4,0 | 100 |
| 100 / 80 | 114 | 89 | 3,0 | 3,0 | 100 |
| 125 / 100 | 133 | 108 | 4,0 | 4,0 | 140 |
| 150 / 80 | 168 | 89 | 3,0 | 2,5 | 150 |
| 150 / 100 | 159 | 108 | 4,0 | 4,0 | 150 |
| 150 / 100 | 168 | 114 | 3,0 | 3,0 | 140 |
| 150 / 125 | 159 | 133 | 4,0 | 4,0 | 150 |
| 200 / 100 | 219 | 114 | 3,0 | 3,0 | 150 |
| 200 / 150 | 208 | 159 | 4,0 | 4,0 | 150 |
| 200 / 150 | 219 | 168 | 3,0 | 3,0 | 150 |
| 250 / 150 | 273 | 168 | 4,0 | 3,0 | 180 |
| 250 / 200 | 273 | 219 | 4,0 | 3,0 | 180 |

ALUMINIUM LAP JOINT FLANGES



| DN | ISO | d1 DIN | D mm | b mm | d2 mm | d3 mm | Agujeros |
|-----|-----|-----------|---------|---------|----------|----------|----------|
| 10 | 19 | | 90 | 12 | 60 | 14 | 4 |
| 10 | | 16 | 90 | 12 | 60 | 14 | 4 |
| 15 | 24 | | 95 | 12 | 65 | 14 | 4 |
| 15 | | 23 | 95 | 12 | 65 | 14 | 4 |
| 20 | 30 | | 105 | 12 | 75 | 14 | 4 |
| 20 | | 28 | 105 | 12 | 75 | 14 | 4 |
| 25 | 36 | | 115 | 12 | 85 | 14 | 4 |
| 25 | | 34 | 115 | 12 | 85 | 14 | 4 |
| 32 | 46 | | 140 | 16 | 100 | 18 | 4 |
| 32 | | 40 | 140 | 16 | 100 | 18 | 4 |
| 40 | 54 | | 150 | 16 | 110 | 18 | 4 |
| 40 | | 48 | 150 | 16 | 110 | 18 | 4 |
| 50 | 65 | | 165 | 16 | 125 | 18 | 4 |
| 50 | | 58 | 165 | 16 | 125 | 18 | 4 |
| 65 | 81 | | 185 | 16 | 145 | 18 | 4 |
| 65 | | 73 | 185 | 16 | 145 | 18 | 4 |
| 80 | 94 | | 200 | 18 | 160 | 18 | 8 |
| 80 | | 90 | 200 | 18 | 160 | 18 | 8 |
| 100 | 119 | | 220 | 18 | 180 | 18 | 8 |
| 100 | | 110 | 220 | 18 | 180 | 18 | 8 |
| 125 | 144 | | 250 | 18 | 210 | 18 | 8 |
| 125 | | 135 | 250 | 18 | 210 | 19 | 8 |
| 150 | 173 | | 285 | 18 | 240 | 22 | 8 |
| 150 | | 160 | 285 | 18 | 240 | 22 | 8 |
| 200 | 225 | | 340 | 20 | 295 | 22 | 8 |
| 200 | | 210 | 340 | 20 | 295 | 22 | 8 |
| 250 | 279 | | 395 | 22 | 350 | 22 | 12 |
| 250 | | 262 | 395 | 22 | 350 | 22 | 12 |
| 300 | 329 | | 445 | 22 | 400 | 22 | 12 |
| 300 | | 310 | 445 | 22 | 400 | 22 | 12 |
| 350 | 362 | | 505 | 22 | 460 | 22 | 16 |
| 350 | | 360 | 505 | 22 | 460 | 22 | 16 |
| 400 | 413 | | 565 | 25 | 515 | 25 | 16 |
| 400 | | 412 | 565 | 25 | 515 | 25 | 16 |
| 450 | - | 463 | 615 | 25 | 565 | 25 | 20 |
| 500 | 517 | | 670 | 28 | 620 | 25 | 20 |
| 500 | | 515 | 670 | 28 | 620 | 25 | 20 |
| 600 | 618 | | 780 | 30 | 725 | 30 | 20 |
| 600 | | 620 | 780 | 30 | 725 | 30 | 20 |
| 700 | 721 | | 895 | 32 | 840 | 30 | 24 |
| 700 | | 720 | 895 | 32 | 840 | 30 | 24 |